

Contact

Company

Address

Phone # ()

Fax # ()

Please also tell us :

Economy litres per 100 km

Km travelled per week / month / year
circle one

Fuel Tank litres Km / tank
circle one

Date

NoseCone NC \$

Accessories \$

Mods \$

Fitting \$

Freight \$

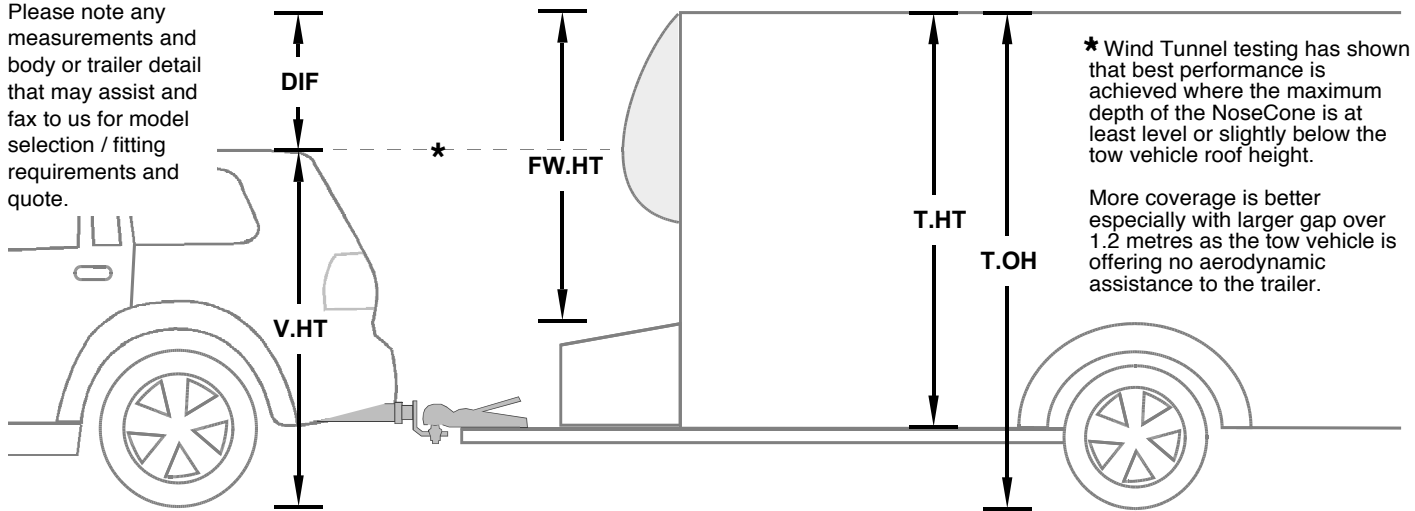
Total \$

Other \$

GST \$

Total inc GST \$

Please note any measurements and body or trailer detail that may assist and fax to us for model selection / fitting requirements and quote.



* Wind Tunnel testing has shown that best performance is achieved where the maximum depth of the NoseCone is at least level or slightly below the tow vehicle roof height.

More coverage is better especially with larger gap over 1.2 metres as the tow vehicle is offering no aerodynamic assistance to the trailer.

Tow Vehicle
Make & Model

V.HT Vehicle Height
Roof of Vehicle

V.WD Vehicle Width
Roof of Vehicle

Type Sedan / Wagon / Van / 4WD
Circle One type of Vehicle

T.WD Trailer Width
Overall Front Width to be installed to

T.HT Trailer Height
Body or Box Height of Trailer

T.OH Trailer OA Ht
Trailer height from Ground to roof

DIF T.OH - V.HT
Difference in Trailer and Tow Vehicle Height

FW.HT Front Wall
Box Height less any obstructions eg Tool Box or Gas Box

