

NoseCone

RIGID TRUCK FITTING MEASURE & QUOTE

Contact
 Company
 Address
 Phone # ()
 Fax # ()
 Order #

Date
 Suggested Model #
 NoseCone \$
 Sideburns \$
 Mods \$
 Fitting \$
 Freight \$
 Total \$
 Other \$
 GST \$
 Total inc GST \$

Please also tell us :

Economy litres per 100 km
 Km travelled per week / month / year
circle one
 Fuel Tank litres Km / tank

ADDITIONAL DIMS

ROOF One
 Cambered
 Flat

CAMBER
 Rise in Roof Centre

EXHAUST STACK Yes / No

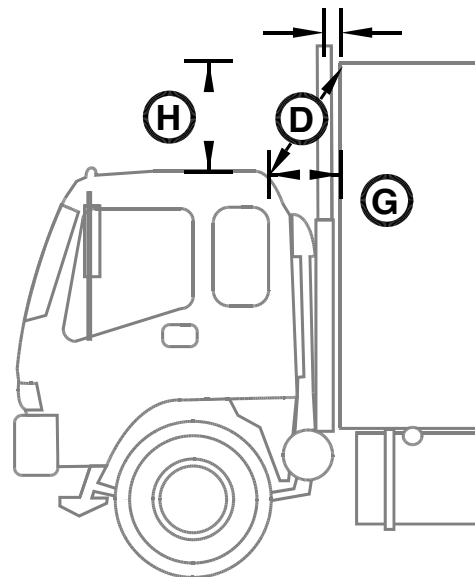
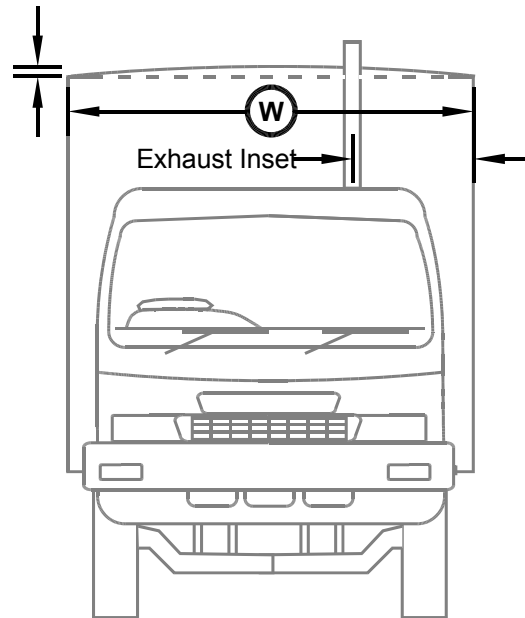
EXHAUST INSET
 Center of exhaust pipe to pan edge.

EXHAUST SETBACK
 Center of exhaust pipe to pan face.

CAB CHASSIS
 Make
 Year
 Model

PAN TYPE one.
 Metal Skin
 Fiberglass
 Curtainside

Camber



CRITICAL DIMS

WIDTH
 Width inc extrusions but not rub rail.

CORNER TYPE (One)
 Curtain Sider
 Hard Side

HEIGHT
 Above cab only.

DIAGONAL
 Top edge of pan to roll of cab roof.

GAP
 Between cab & pan at roll of roof not gutter.

Please note all measurements and any body chassis detail and fax back to us for model selection recommendation including fitting or freight quote.